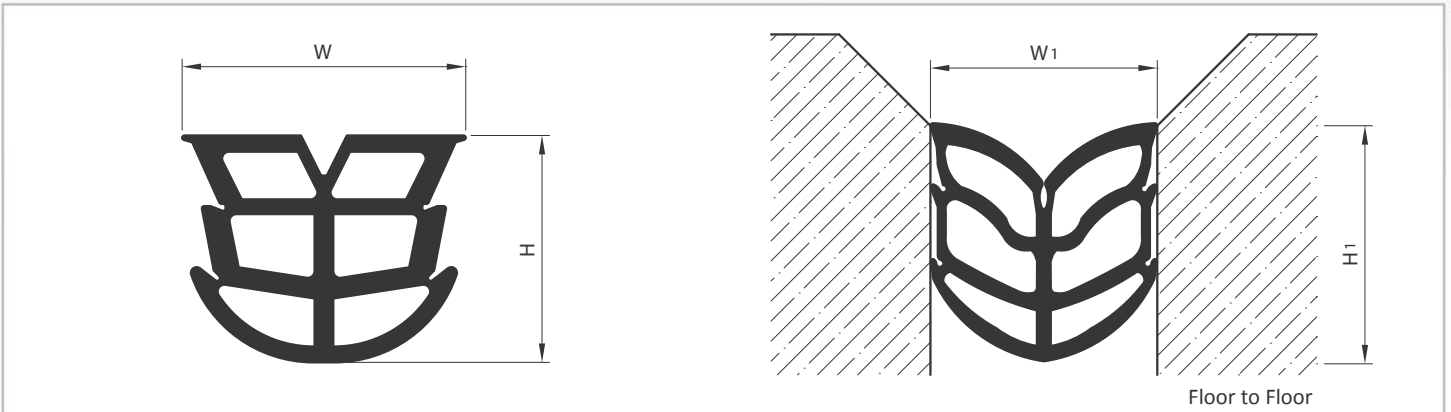
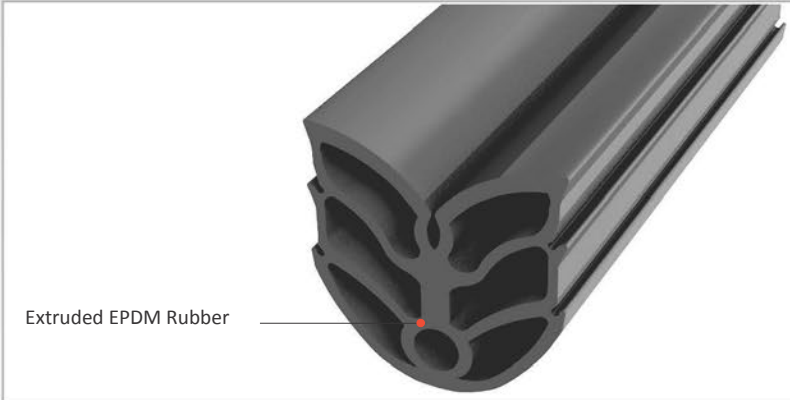




AS U142 is a one-piece, extruded EPDM elastomeric seal and designed for wall & ceiling applications. It can be used between structural gaps to absorb multi-directional movements. Sound insulation, chemical resistance quick installation and operating temperature from -35° to +90° are the main advantages of AS U142. It also functions as a watertight profile if it's adhered to the application area with silicone or similar adhesive.

- Application Areas** : Indoor & Outdoor / Wall & Ceiling
- Ideal for** : Shopping Malls, Residences, Hospitals, Hotels, Commercial & Public Buildings etc.
- Material** : EPDM Rubber
- Optional Supplies** : Fire Barrier

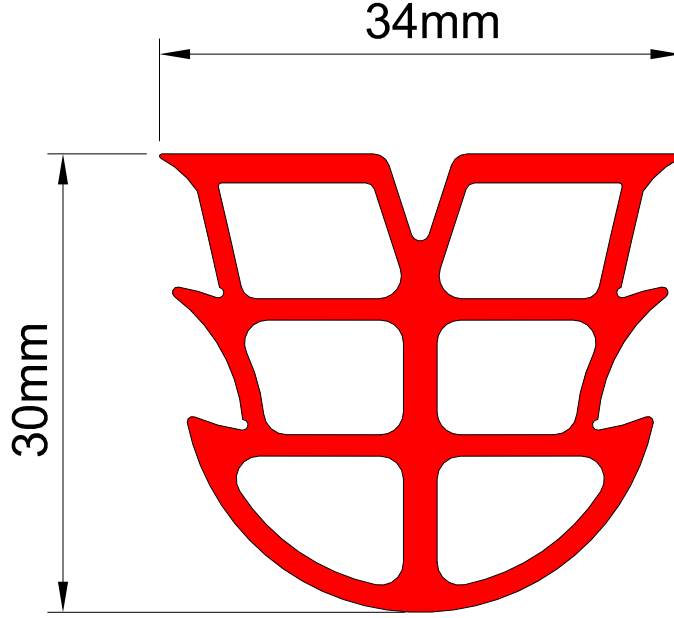


\* Visuals are representative and the profile configuration may differ depending on the characteristics requested.

COLOR **BLACK**

LOCATION	MODEL	PROFILE DIMENSIONS			MINIMUM DIMENSIONS FOR INSTALLATION(mm)		OPERATING RANGE AFTER INSTALLATION(mm)		TOTAL MOVEMENT ABILITY (mm)	MINIMUM ORDER QUANTITY (mt)
		WIDTH(W) (mm)	HEIGHT(H) (mm)	Length (L) (m)	WIDTH (W <sub>i</sub> )	HEIGHT (H <sub>i</sub> )	MIN	MAX		
Wall To Wall	AS U142 16-16	16	16	50	9	25	7	11	4	2000
	AS U142 18-16	18	16	50	10	25	8	14	6	2000
	AS U142 25-20	25	20	50	15	30	12	19	7	1000
	AS U142 34-30	34	30	25	20	40	16	25	9	1000
	AS U142 42-30	42	30	25	25	45	21	31	10	500
	AS U142 63-45	63	45	25	32	70	27	45	18	400
	AS U142 83-60	83	60	25	50	90	40	60	20	250
	AS U142 183-54	183	54	20	110	90	75	165	92	250

Note: Please ask for different size  
 Minimum order quantity will be applied if the inquired quantity is not available in stock



AS U142 34-30

Profile Dimensions Width(W)(mm) / Height(H)(mm) / Length(L)(m)	34/30/25
Nominal Width (mm)	34
Nominal Height (mm)	30
Movement Ability (mm) approx.	9
Narrowest Opening (mm)	16
Widest Opening (mm)	25
Color	Black
Material	EPDM Rubber